



## Honda CR-V LX trim 2017-up\*

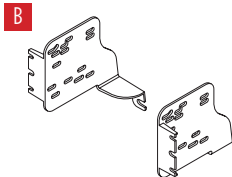
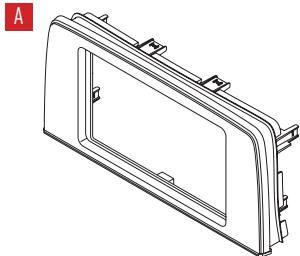
\*Visit [MetraOnline.com](http://MetraOnline.com) for up-to-date vehicle specific applications.

### KIT FEATURES

- ISO DDIN radio provision
- Painted high-gloss black and silver

### KIT COMPONENTS

- A) Radio trim panel • B) Radio brackets • C) (4) #8 x 3/8" Phillips screws • D) (4) White panel clips • E) (2) Black metal panel clips



### TABLE OF CONTENTS

Dash Disassembly .....	2
Kit Preparation .....	2
Kit Assembly .....	3

### WIRING & ANTENNA CONNECTIONS (sold separately)

Wiring Harness: 70-1731

Antenna Adapter: 40-HD11

Steering wheel control retention: ASWC-1

### TOOLS REQUIRED

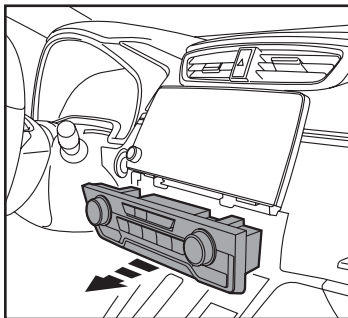
- Panel removal tool • Phillips screwdriver

**CAUTION!** All accessories, switches, climate controls panels, and especially air bag indicator lights must be connected before cycling the ignition. Also, do not remove the factory radio with the key in the on position, or while the vehicle is running.

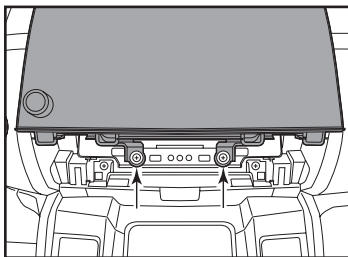
## DASH DISASSEMBLY

1. Unclip and remove the climate control panel. (Figure A)
2. Remove (2) Phillips screws securing the radio, then unclip, unplug, and remove the radio. (Figure B)

*Continue to Kit Preparation*



(Figure A)

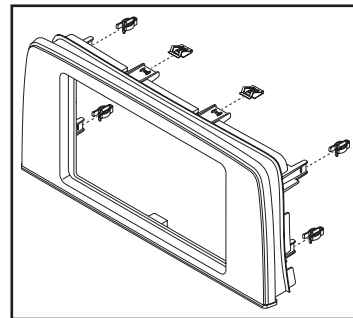


(Figure B)

## KIT PREPARATION

1. Attach the (4) white plastic panel clips, and (2) black metal clips to the radio trim panel. (Figure A)

*Continue to Kit Assembly*

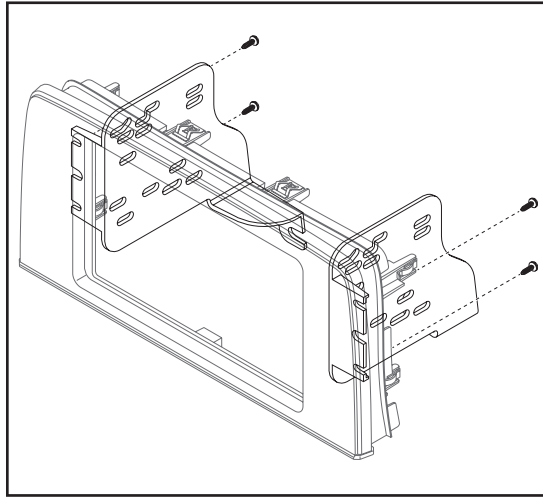


(Figure A)

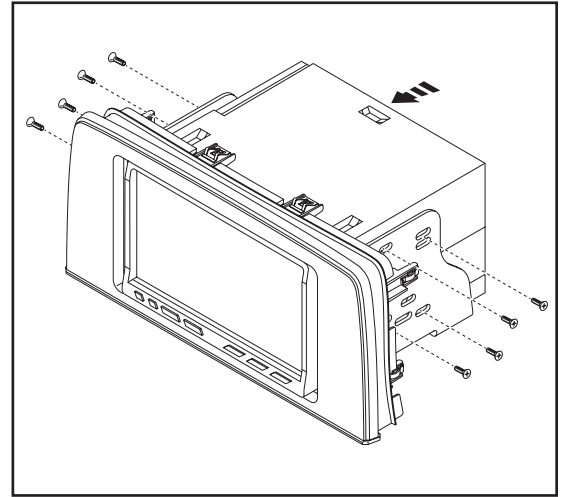
## KIT ASSEMBLY

### ISO DDIN radio provision

1. Attach the *radio brackets* to the *radio trim panel* using the (4) #8 x 3/8" Phillips screws provided. (Figure A)
2. Slide the radio into the bracket/panel assembly from the back, and secure it using the screws supplied with the radio. (Figure B)
3. Locate the factory wiring harness and antenna connector in the dash and complete all necessary connections to the radio. Metra recommends using the proper mating adapter from Metra and/or Axxess. Test the radio for proper operation.
4. Secure the completed assembly into the dash using the factory screws.
5. Reassemble the dash in the reverse order of disassembly.



(Figure A)



(Figure B)



# 95-7817HG

INSTALLATION INSTRUCTIONS



### IMPORTANT

*If you are having difficulties with the installation of this product, please call our Tech Support line at 1-800-253-TECH. Before doing so, look over the instructions a second time, and make sure the installation was performed exactly as the instructions are stated. Please have the vehicle apart and ready to perform troubleshooting steps before calling.*



### KNOWLEDGE IS POWER

Enhance your installation and fabrication skills by enrolling in the most recognized and respected mobile electronics school in our industry. Log onto [www.installerinstitute.com](http://www.installerinstitute.com) or call 800-354-6782 for more information and take steps toward a better tomorrow.



**Metra recommends MECP certified technicians**